

ACE® Light Source

Rugged AC halogen light source



ACE® Light Source with EKE Lamp, A20500

ACE® Light Source Models

Light Source Models	Part. No.	Lamp
115 Volts	A20500	EKE Lamp
115 Volts	A20500.2	DDL Lamp
115 Volts	*A20500.115	No Lamp
230 Volts	A20510	EKE Lamp
230 Volts	A20510.2	DDL Lamp
230 Volts	*A20510.230	No Lamp

*Custom Order. Lamps can be purchased separately (EKE, DDL and Modulamp units)

Product and Performance Characteristics

Compact, rugged, AC halogen light source with solid state dimmer for variable light intensity and maximizing lamp life.

- Solid state dimmer for continuous control zero to full intensity
- Heavy duty, grounded metal housing
- 115V or 230V input voltage versions available
- IR interference filter for cool illumination
- Full illumination on .60" active diameter input ColdVision light guides
- Interchangeable Modulamp Units offer 2 positions to maximize individual lamp efficiencies
- Choice of two, 150 watt halogen lamps – EKE and DDL for intense, uniform illumination. These three different bulbs offer light intensity and color temperature options to maximize productivity and accuracy.
- Built-in thermal shut down
- Quiet fan cooling
- CSA approved to UL spec, CE compliant to low voltage and EMC directives
- Low housing temperature
- Detachable IEC cord

Options

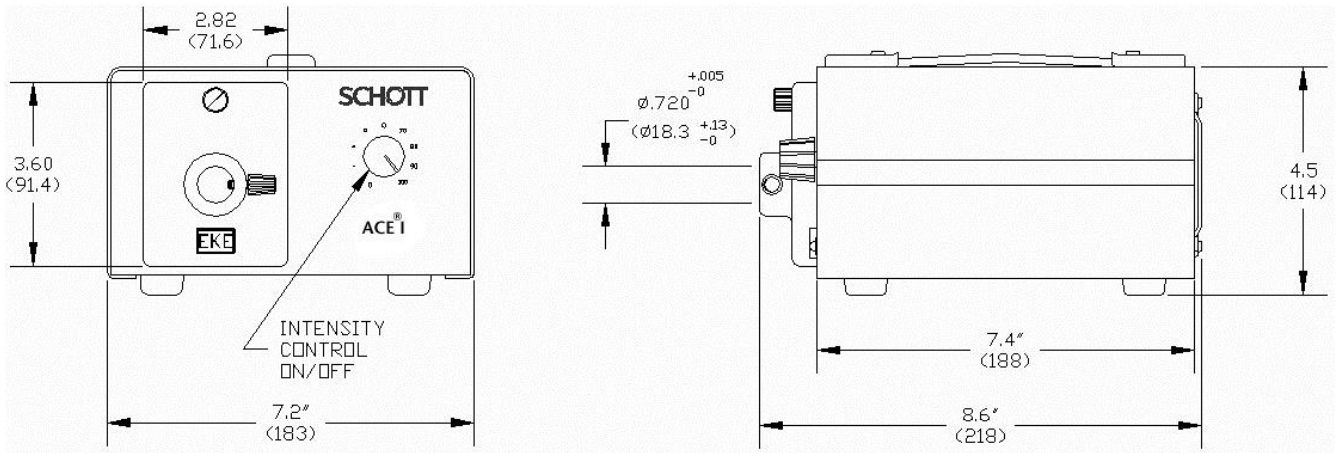
- Private labeling available.
- Infinite setting, twelve blade iris diaphragm version available to reduce intensity while maintaining color temperature.



Modulamp Unit with Iris Diaphragm

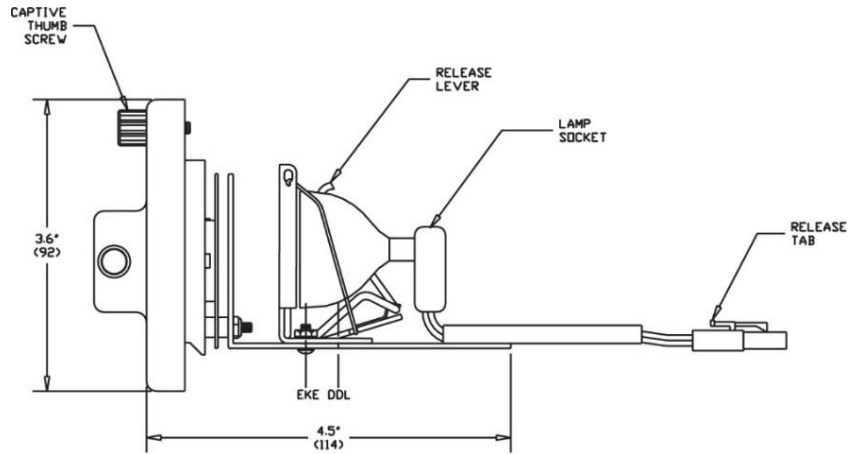
Two positions optimize light intensity output, depending on the lamp in use. Entire housing is interchangeable for quick setup.



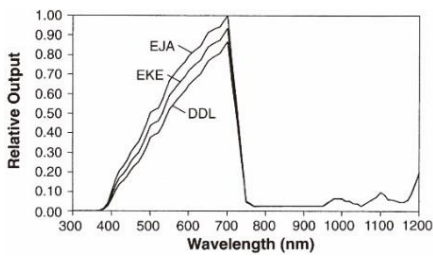


Dimensions in () are in mm
 Input: 115 VAC/60 Hz, 230 VAC/50/60 Hz, Output: 0–21 VAC

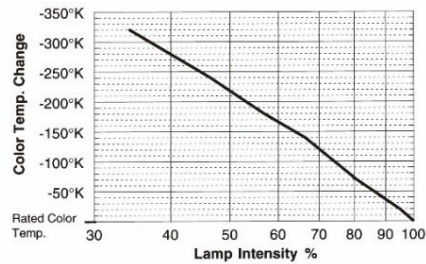
Power Supply Specification	
Power Consumption	120 Watts (nominal)
Output Voltage	0-21 VAC
Fiber Receptacle	0.72" (13.3 mm)
Input Voltage	115 VAC / 60 Hz 230 VAC / 50/60 Hz 60 Hz
Temperature Range Operating	0°C to 50°C



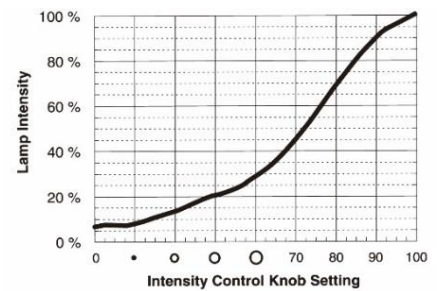
Spectral Curves w/Interference IR Filter



Color temperature Change vs. Lamp Intensity



Lamp Intensity vs. Intensity Control Knob Setting





Polytec France S.A.S.
 Technosud II Bâtiment A
 99 Rue Pierre Semard
 92320 Châtillon
 Tel. +33 1 49 65 69 00
 info@polytec.fr

Contacts : PHOTONICS/VISION
 Elvis DZAMASTAGIC
 Tel. +33 1 49 65 69 07
 e.dzamastagic@polytec.fr

Christophe COURTOIS
 Tel. +33 1 49 65 69 03
 c.courtois@polytec.fr



**Polytec GmbH
 (Germany)**
 Polytec-Platz 1-7
 76337 Waldbronn
 Tel. +49 7243 604-0
 info@polytec.de

**Polytec GmbH
 (Germany)**
 Vertriebs- und
 Beratungsbüro
 Schwarzschildstraße 1
 12489 Berlin
 Tel. +49 30 6392-5140



**Polytec, Inc.
 (USA)**
 North American
 Headquarters
 16400 Bake Parkway
 Suites 150 & 200
 Irvine, CA 92618
 Tel. +1 949 943-3033
 info@polytec.com

Central Office
 1046 Baker Road
 Dexter, MI 48130
 Tel. +1 734 253-9428

East Coast Office
 25 South Street, Suite A
 Hopkinton, MA 01748
 Tel. +1 508 417-1040



Polytec Japan
 Arena Tower, 13th floor
 3-1-9, Shinyokohama
 Kohoku-ku, Yokohama-shi
 Kanagawa 222-0033
 Tel. +81 45 478-6980
 info@polytec.co.jp



**Polytec Ltd.
 (Great Britain)**
 Lambda House
 Batford Mill
 Harpenden, Herts AL5 5BZ
 Tel. +44 1582 711670
 info@polytec-ltd.co.uk



Polytec China Ltd.
 Room 1026, Hanwei Plaza
 No. 7 Guanghua Road
 Chaoyang District
 100004 Beijing
 Tel. +86 10 65682591
 info-cn@polytec.com



**Polytec South-East Asia
 Pte Ltd**
 Blk 4010 Ang Mo Kio
 Ave 10
 #06-06 TechPlace 1
 Singapore 569626
 Tel. +65 64510886
 info@polytec-sea.com