

OmniCure® S1500 Pro

Leap into the future of UV Curing

The OmniCure® S1500 Pro, the latest in the S-series, excels in high-throughput UV adhesive curing for micro-electronics, opto-electronics, and many other applications. The system features Intelli-Lamp® 2.0 for extended lamp life and optimal performance, along with user-interchangeable filters, StepCure 2.0 for customizable curing profiles, USB/SD connectivity, and an intuitive LCD touch screen.



OmniCure S1500 Pro

Features



Intelli-Lamp® 2.0 Technology

Maximizes lamp life by monitoring and adjusting system parameters based on lamp temperature, tracks operation hours, and prevents hot strikes. 2000 hours lamp life guaranteed.



Backward Compatible

Same 200W Lamp with identical spectrum and optical power as the original S2000/S1500. Identical filter availability, optical focal point and light guide compatibility. Same command set for automated setups. Available PLC adapter for drop-in replacement into existing S1500 set-ups.



4.3" High-resolution LCD Touch Screen Display

Easy access and navigation of system functionalities.



Step-Cure® 2.0

Program multi-phase cure profiles for precise control over the curing process directly from the system with a simple user-friendly interface.



PLC Control

Programmable PLC output channel. Simplify and lower the cost of automating assembly lines.



SD Card and USB Support

Read/ Write system settings, Cure profiles, Flight recorder system log. Firmware field upgrades.



NFC (Near Field Communication)

Enables advanced process control with NFC-enabled keycards. security features such as clearing faults, locking and unlocking system parameters and advanced cure process inputs all through a tap of the Admin or Supervisor keycards.



Increased Customizability

Versatile for academic, development, or lab use, the OmniCure S1500 Pro swiftly adapts to various optical filters or lamp types. Automatic detection adjusts parameters for the chosen configuration. Pick from 6 optical filters and 2 lamp types.



Dedicated Exhaust Duct Attachment Hardware

Cleanroom compatible.





Optical Filter

- User interchangeable.
- 6 standard options (same as S2000/1500).
- Custom wavelengths available.

Lamp Module

- Identical optical power and optical spectrum to the original S1500 for upgrade to S1500 Pro without process changes.
- New Intelli-Lamp 2.0 chip (enhanced security and active monitoring).
- Lamp options: standard, surface cure.

Intelli-Tap 2.0 Technology

- NFC cards enable system lock/unlock, trigger StepCure.



4.3" Touchscreen Interface

- 4.3" LCD touch screen display enables deep and intuitive system control.

StepCure 2.0

- Advanced curing process design.

Navigation pad with dedicated Start/ Stop Button

- Alternate input device enhances usability.

SD Card Slot

- Save/ Load curing profiles, firmware updates, system logs.

System Packages

010-00578R	OmniCure S1500 Pro - 320-500nm - Includes 012-68000R Standard lamp and 320-500nm optical bandpass filter cartridge.
010-00517R	OmniCure S1500 Pro - System Only - Lamp and optical bandpass filter not included, must be ordered separately.

Accessories

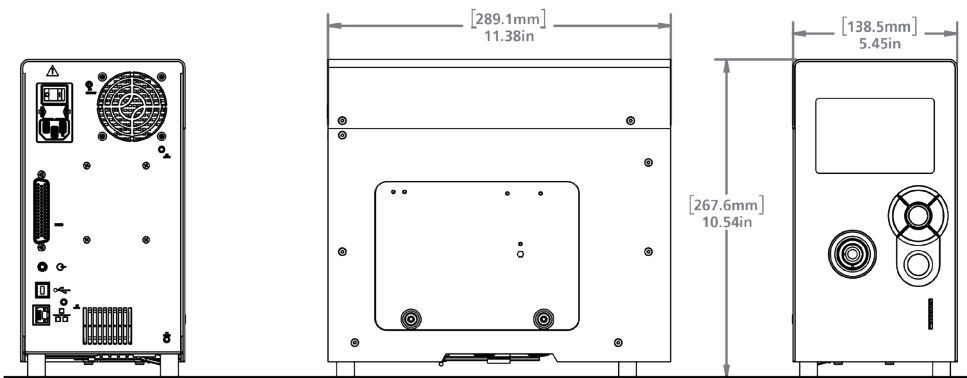
019-00387R	Filter 400-500 nm
019-00388R	Filter 365 nm
019-00389R	Filter 320-390 nm
019-00390R	Filter 250-450 nm
019-00391R	Filter 320-500 nm
019-00392R	Blank Filter
019-00406R	Intelli-Tap Supervisor NFC card
019-00407R	Intelli-Tap Admin NFC card
012-68000R	Standard Lamp Module
012-69000R	Lamp Module - Surface Cure
010-00208	OmniCure R2000 Radiometer

For a complete list of available light guides and other accessories refer to the OmniCure product catalog.

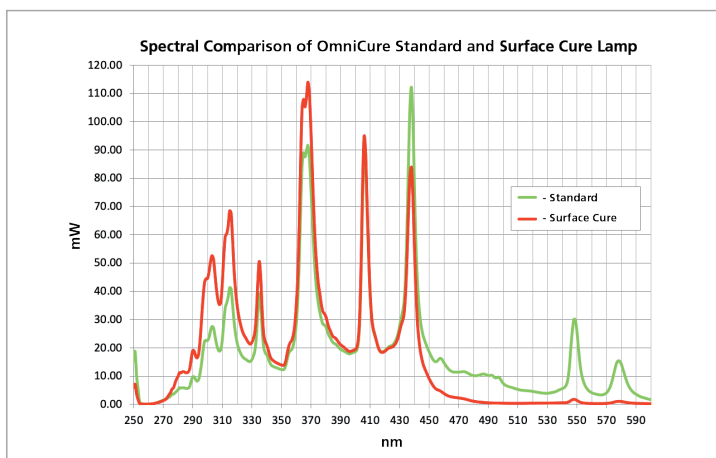
Technical Specifications – OmniCure S1500 Pro

ELECTRICAL	Rated Input Voltage	100-240 VAC, 50/60 Hz
	Current	3.5A Max at 120 VAC 2.0A Max at 240 VAC
OPTICAL	Light Source	High Pressure 200 Watt Mercury Vapor Short Arc
	Lamp Lifetime	3500-4000 Hours typical
	Optical Output	Up to 37 W/cm ²
	Filters	Blank filter, 250-400 nm, 320-390 nm, 320-500 nm, 365nm, 400-500 nm, Custom filters available on request
	Warmup	4 minutes (minimum)
COMMUNICATION	Control	USB, Phono connector for foot switch, DB50 port for PLC, NFC port
	Data Storage/Transfer	SD Card (StepCure profiles, system log, firmware updates)
PHYSICAL	Size (H x W x D)	2268 x 139 x 289 mm (10.54 x 5.45 x 11.38 in)
	Weight	5 Kg (11 Lbs)
	Rated Operating Temperature	15°C to 40°C
WARRANTY	System	1 Year
	Lamp	2000 Hours

System Layout and Dimensions



Optical Output Profiles



EXCELITAS
TECHNOLOGIES®

www.excelitas.com
omnicure@excelitas.com

2260 Argentia Road
Mississauga, Ontario
L5N 6H7 CANADA

Telephone: +1 905 821-2600
Toll Free (USA and CAN): +1 800 668-8752
Fax: +1 905 821-2055

For a complete listing of our global offices, visit www.excelitas.com/locations

© 2024 Excelitas Canada Inc. OmniCure®, StepCure® and Intelli-Lamp® are registered trademarks and Intelli-Tap™ is a trademark of Excelitas Canada Inc. The Excelitas logo and design are registered trademarks of Excelitas Technologies Corp. All other trademarks are the property of their respective owners, and neither Excelitas Technologies Corp., its affiliates or subsidiaries, or any of their respective products, are endorsed or sponsored by or affiliated in any way whatsoever with those organizations whose trademarks and/or logos may be mentioned herein for reference purposes. Excelitas Canada Inc. reserves the right to change this document at any time without notice and disclaims liability for editorial, pictorial or typographical errors.