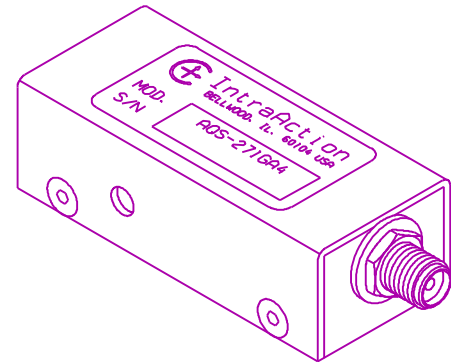


**POLYTEC GmbH** Büro Berlin Schwarzschildstraße 1 D - 12489 Berlin GERMANY  
Tel: +49 (30) 63 92 51 40 Fax: +49 (30) 63 92 51 41 wl@polytec.de www.polytec.de

## MODELS AQS-GA4 SERIES ACOUSTO-OPTIC Q-SWITCH

- CAVITY LOSS MODULATION
- HIGH OPTICAL POWER CAPABILITY
- HIGH RELIABILITY
- EXCELLENT TEMPERATURE STABILITY
- SMALL SIZE



### SPECIFICATIONS

Acousto-optic Material <sup>1</sup>	Dense Flint Glass
Optical Wavelength <sup>2</sup>	1.047-1.064 $\mu\text{m}$
Optical Power Capability	>500 Mwatts/cm <sup>2</sup>
Optical Polarization	Any
Static Optical Insertion Loss	0.3 percent
Active Aperture Height <sup>3</sup>	1 mm
Optical Rise Time	177 nsec/mm optical beam diameter
Diffraction Loss Efficiency	50 percent
RF Drive Power <sup>4</sup>	2 watts
Input Impedance/VSWR	50 ohms/1.25
RF Connector	SMA
Size (less connector) <sup>5</sup>	2.00 D X 0.63 H X 0.90 W inches 5.08 D X 1.60 H X 2.28 W cm

<b>MODEL</b>	<b><u>AQS-271GA4</u></b>	<b><u>AQS-4E1GA4</u></b>	<b><u>AQS-801GA4</u></b>
Acoustic Frequency <sup>6</sup>	27.12 MHz	40.68 MHz	80 MHz
Beam Separation (1.06 : m)	7.9 mrad	11.9 mrad	23.3 mrad

<sup>1</sup> Fused silica and TeO<sub>2</sub> materials are also available.

<sup>2</sup> Designs for other optical wavelengths are available.

<sup>3</sup> Other active aperture heights are available.

<sup>4</sup> A complete line of laboratory and OEM drivers are available.

<sup>5</sup> Smaller OEM housings are available.

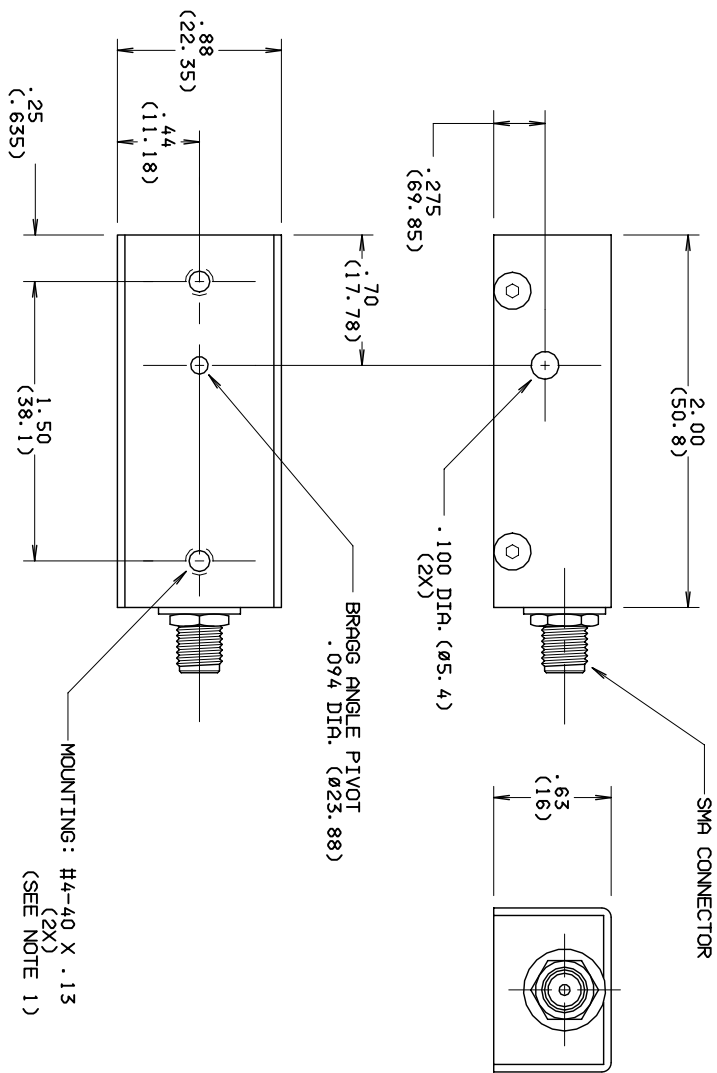
<sup>6</sup> Other acoustic frequencies are available.

ENG210B

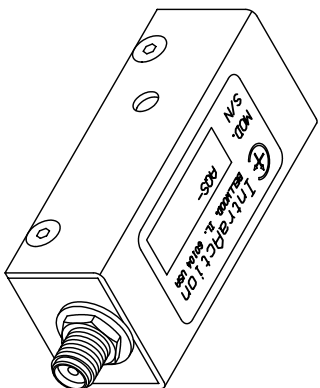
REVISIONS

ISSUE	DESCRIPTION	APPD./DATE
ORIGINAL	RM 05-21-99	


ALL REVISIONS TO THIS DRAWING  
MUST BE MADE ON THE CAD SYSTEM



MOUNTING: #4-40 X .13  
(SEE NOTE 1)



- NOTES:  
1. MOUNTING SCREW DEPTH MUST NOT EXCEED 0.13 INCHES MAX.

UNLESS OTHERWISE SPECIFIED TOLERANCES AND DIMENSIONS ARE IN INCHES		APPROVED DATE	 <p>Interaction Corp. 3719 WARREN AVE. BELLWOOD, IL 60104</p> <p>PHONE (708) 547-6644</p>
LINEAR : .XX ±.010 ANGULAR ± / DIAMETERS ± / .XXX±.005 (XX.X)±mm LIMITS APPLY BEFORE FINISHING DO NOT SCALE THIS PRINT		CHECKED DATE	
MATERIAL		DRAWN DATE	<p>TITLE</p> <p>AQS-GA4 Q-SWITCH</p>
MFG. INSTR.		RM 05-21-99	
D. C. INSTR.		FINISH	<p>FSCM NO.</p> <p>SIZE B</p> <p>UNIT WEIGHT</p> <p>DMG. NO. AQS-GA4</p> <p>ISSUE OUTLINE</p>
SCALE		SHEET 1 OF 1	