

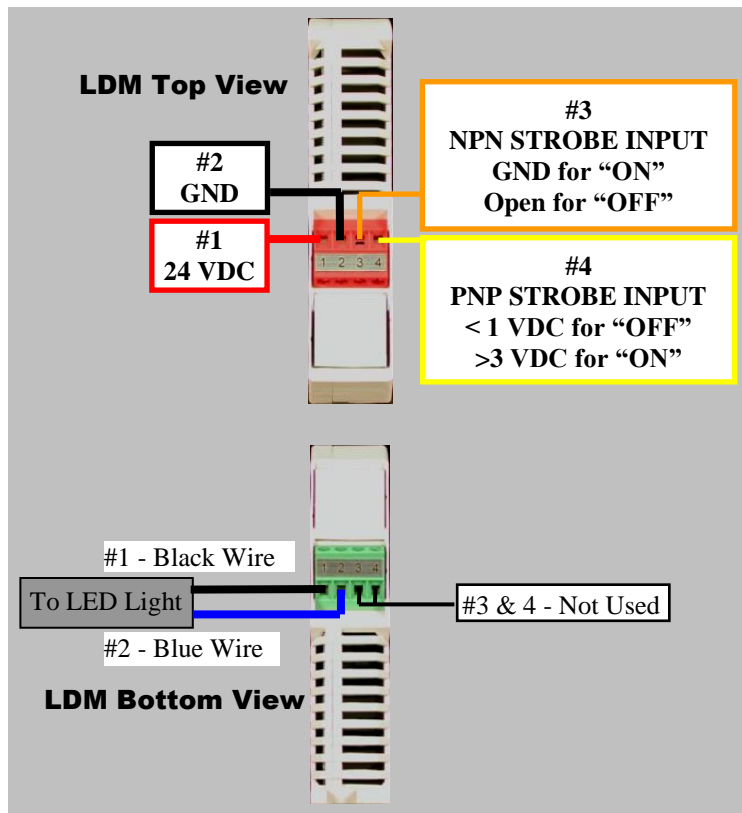


## VLDM1050 Series DRIVER

- Variable Intensity Control - ~10% to 100%
- Compact Size
- Current Regulating
- 24VDC
- DIN Rail Mount
- PNP/NPN Strobe or Continuous Mode

### ELECTRICAL:

Input Voltage: 24 VDC -0.5 / +4V  
Input Current: 1.2 Amp  
Connection: Screw terminals



### VLDM1050 is compatible with the following lights:

SP5.5 – All Colors  
LL117.25 – All Colors

### NOTE:

Jumper 24VDC to PNP Strobe Input or  
GND to NPN Strobe input for light to  
remain in constant "ON" state.

Strobe is Pulse Width Duration – Light will  
remain "on" for duration of signal or pulse.

**Note: White, Brown and Green wires  
are not used on VLDM1050 Driver**

### **Warning!!!**

**USE ONLY SPECTRUM ILLUMINATION LDM DRIVER WITH MONSTER LIGHTS.  
DO NOT CONNECT MONSTER LIGHTS DIRECTLY TO 24VDC!**