



RVLDM2800 Series DRIVER

- Remote Variable Intensity Control - ~10% to 100%
- Current Regulating
- 24VDC
- DIN Rail Mount
- PNP/NPN Strobe or Continuous Mode

ELECTRICAL:

Input Voltage: 24 VDC -0.5 / +4V
Input Current: 3 Amp Max
Connection: Screw terminals



RVLDM2800 is compatible with the following lights:

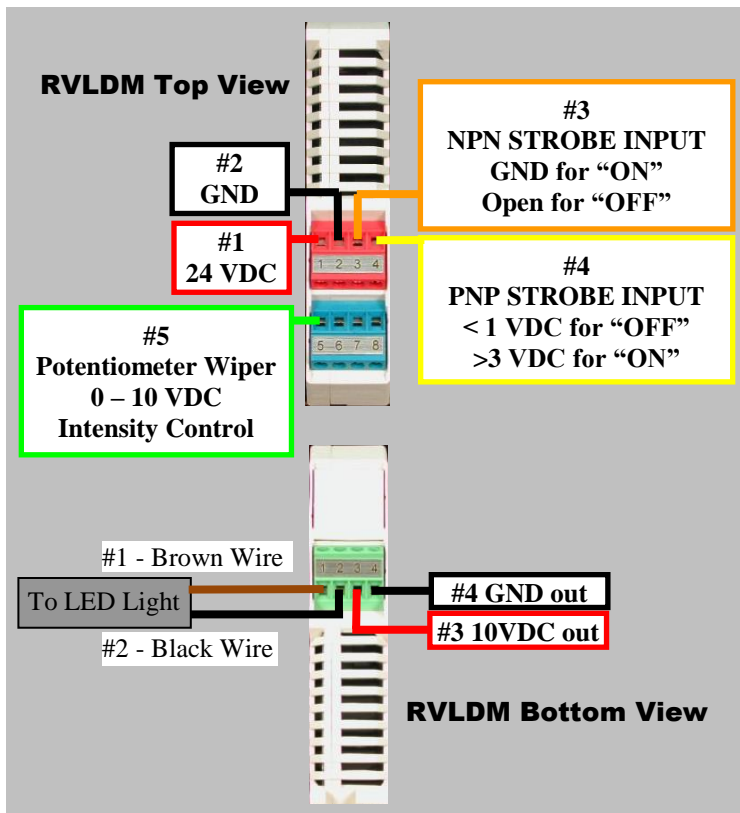
LL146 – All Colors
LL157.5 – All Colors
DL29.25 – All Colors
RL30.5 – All Colors

NOTE:

Jumper 24VDC to PNP Strobe Input or
GND to NPN Strobe input for light to
remain in constant “ON” state.

Strobe is Pulse Width Duration – Light will
remain “on” for duration of signal or pulse.

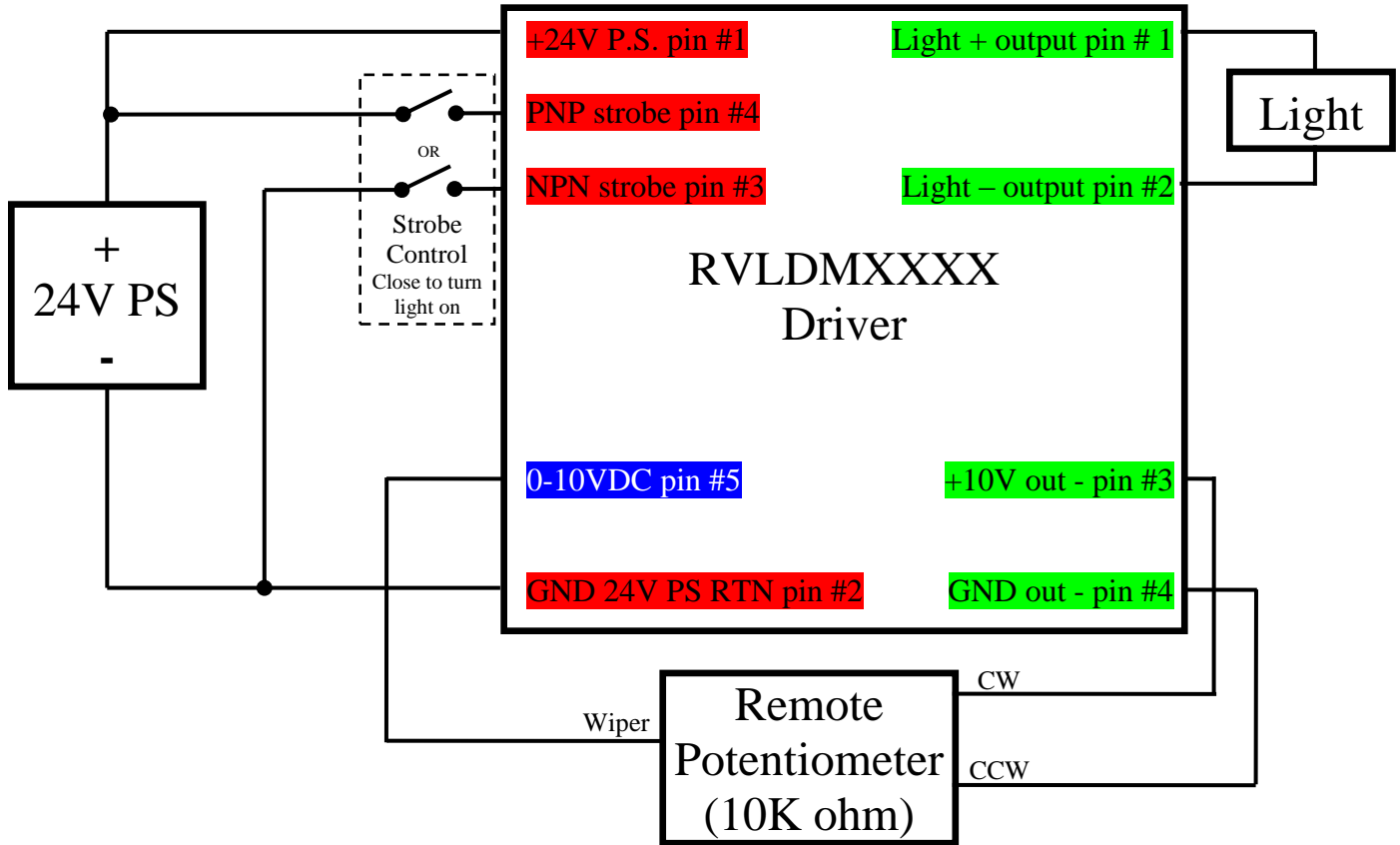
**Note: White, Blue and Green wires are not used
on RVLDM2800 Driver**



Warning!!!

**USE ONLY SPECTRUM ILLUMINATION LDM DRIVER WITH MONSTER LIGHTS.
DO NOT CONNECT MONSTER LIGHTS DIRECTLY TO 24VDC!**

Wiring Block Diagram



Rev. Date: 2013-02-13