

## Strobe, 2Ch, 8A, PAD1 1231/8

### This package consists of:

- PAD1 1231/8, Strobe control unit
- LKA1 1231 Power/Trigger cable, 5m

Specifications	
Voltage supply	24V DC(±10%)
Current requirement	max. 1A
Protection class	IP30
Operation temperature	0°C ....+65 °C
Storage temperature	-40°C....+80 °C
Storage humidity	max. 80%

No of channels	2
Power output	max 8A/channel
Light intensity	0 to 100%.
Strobe pulselength	50 to 1500 µsec

### Warning!

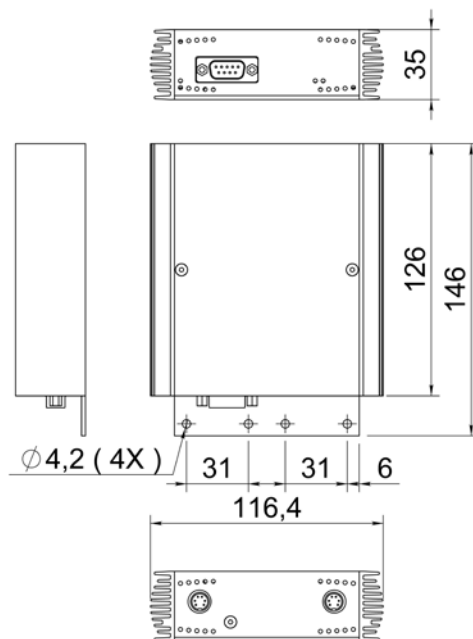
Do not connect to other than 24 V DC

Power/trigger cable			
Red	24 VDC	Pin 1, 2	
Black	0 V	Pin 3, 4	
Ch 1. White	Trigger +	Pin 6	
Ch 1. Brown	Trigger -	Pin 7	
Ch 2 White	Trigger +	Pin 8	
Ch 2 Brown	Trigger -	Pin 9	

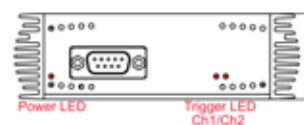
Trigger input: Optical isolated  
 Trigger range: 5-24VDC, 20mA

### Light head connector:

Pull back the spring-loaded housing before connecting and disconnecting.



### LED indication



### Adjustment:

Open the units by unscrewing top cover.



### Light intensity, P1/P2:

Turning P1, P2 anti-clockwise will decrease the light intensity.

Default value: 100%.

LATAB recommend to reduce the light intensity as much as possible to increase lifetime.

360 degr (1 rev) is equal to about 5%

### Pulse width, SW1/2:

The strobe pulse width can be set from 50 to 1500  $\mu$ sec by SW1, SW2. See table.

Factory preset to 1500  $\mu$ sec.

### Double intensity:

Installing of the jumpers J5, (channel1) and J6, (channel2) will double the intensity and at the same time automatically limit the strobe pulse width to 100 $\mu$ s to avoid overloading the LEDs.

### Table for strobe pulse width setting

SW1and2	$\mu$ sec	SW1and2	$\mu$ sec
0	50	8	600
1	100	9	700
2	150	A	800
3	200	B	900
4	250	C	1000
5	300	D	1100
6	400	E	1200
7	500	F	1500

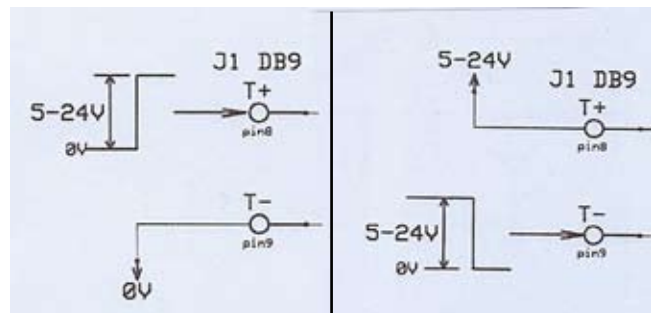
### Common trigger, J9.

Installing jumper J9 will enable both channels to be triggered simultaneously using either one of the trigger inputs

### Trigger configuration

Positive edge

Negative edge



### EEC compatibility:

This product, PAD1 1231/8 follow the EG-directive for EMC-compatibility, 89/336, additional 93/21/EEG and 93/86/EEG