

# Ring Lights with Lens Thread

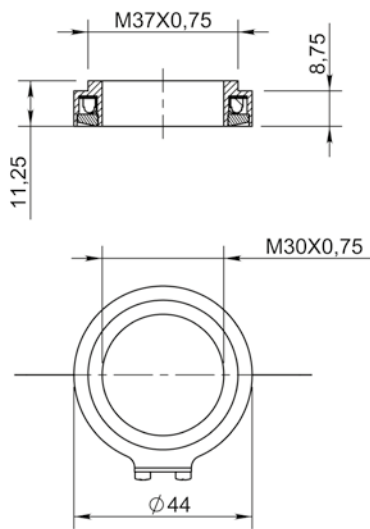
This ring light can be easily mounted in two ways:

- By a standard lens adapter with a lens thread of 37 x 0.75 mm. Lens adapters for different lens threads are available on request.
- By a small bracket (order no. LAD3 7218)

The best evenness of light will be achieved at a working distance of 20-25 mm. A diffuser is included.



## Mechanical Dimensions



Step files available on request

## Color Information

Replace "X" in order number by one character <sup>1</sup>	Color	Wavelength (nm)
H	Red	617
W	White	
R	IR	880
B	Blue	465
G	Green	520
U	UV	395

<sup>1</sup> Example for red ring light: SAH3 1044

## Order Information

Order number	Sizes (mm)		Working distance (mm)	Controller <sup>2</sup>	
	outer Ø	inner Ø		continuous/switching mode	strobe mode
SAX3 1044	44	29	20-25	1 A	8 A

<sup>2</sup> See "Controller selection" for details

## Options

- Cable length and type see "Order options"
- Bracket LAD3 7218:

