

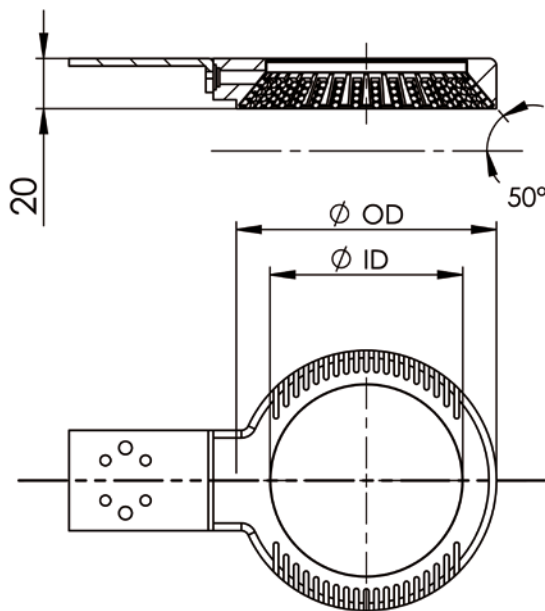
Ring Lights with 50° Light Beam Angle

These ring lights are characterized by a 50 degree inward aligned light output which places them between conventional ring lights and dark field lights.

This kind of illumination is used for example for shadow-free lighting of conic objects. Bracket is included (no. SXX3 010213, for details see lighting head brackets).



Mechanical Dimensions



Step files available on request

Order Information

Order number	Sizes (mm)		Controller ²	
	outer ø	inner ø	continuous/ switching mode	strobe mode
SAX3 3104	104	76	1 A	8 A
SAX3 3184	184	157	3 A	24 A

² See "Controller selection" for details

Options

- Cable length and type see "Order options"
- Diffuser see "Order options"
- A clear diffuser to protect the LEDs is also available

Color Information

Replace "X" in order number by one character ¹	Color	Wavelength (nm)
H	Red	617
W	White	

¹ Example for red ring light: SAH3 3104