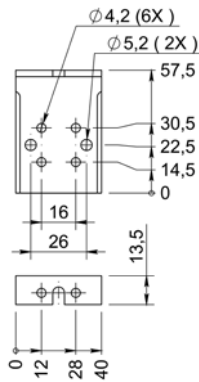


Lighting Head Brackets

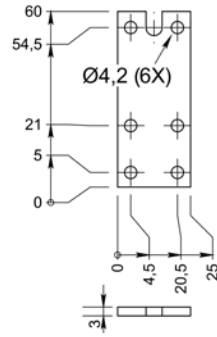
Alternative brackets with different dimensions are available to fit the LATAB lighting heads to special requirements. Step files are available on request.

Mechanical Dimensions

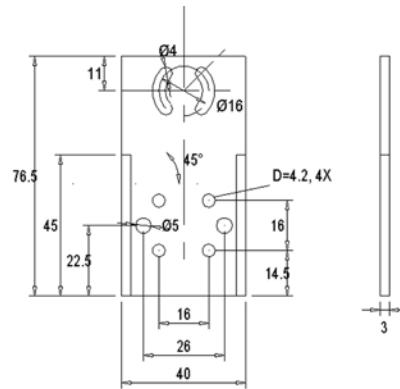
Universal, angle for S-series (SXX3 010213)



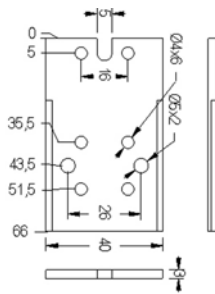
Universal, straight for S-series dark field (LAD3 4011)



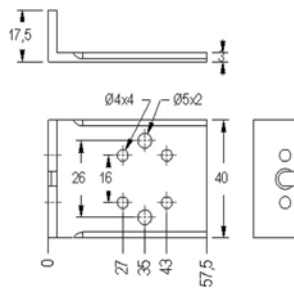
Adjustable, straight (LDF6 1023)



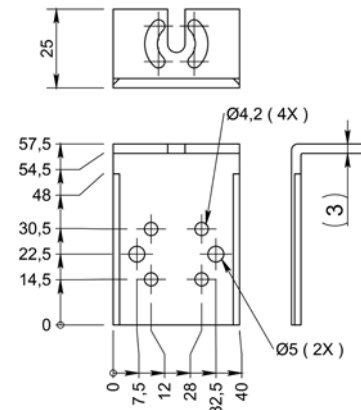
Universal, straight (LAD3 6114)



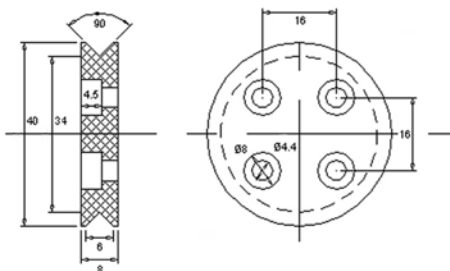
Universal, angle (LAD3 7217)



Adjustable, angle (LDF6 1022)



Round for Montech (LDF6 1011)



Order Information

Order number	Design
SXX3 010213	Universal, angle for S-series only
LAD3 4011	Universal, straight for dark field of S-series only
LAD3 6114	Universal, straight, for P-series and SXX4, SXX7, SXX9-series
LAD3 7217	Universal, angle, for P-series and SXX4, SXX7, SXX9-series
LDF6 1011	Round for Montech, for P-series and SXX4, SXX7, SXX9-series
LDF6 1023	Adjustable, straight, for P-series and SXX4, SXX7, SXX9-series
LDF6 1022	Adjustable, angle, for P-series and SXX4, SXX7, SXX9-series

Other types and custom designs on request.