



Diffusing Ringlight 66 mm

## Diffusing Ringlight

### Features

- Continuous wide ring of a white acrylic diffuser plate within the housing.
- Mounts directly to 66 mm objective by means of thumb screw.
- Housing made of rugged, black anodized aluminium.
- Fiber bundle protected with flexible metal PVC sheathing.
- Manufactured in the EU.

### Benefit

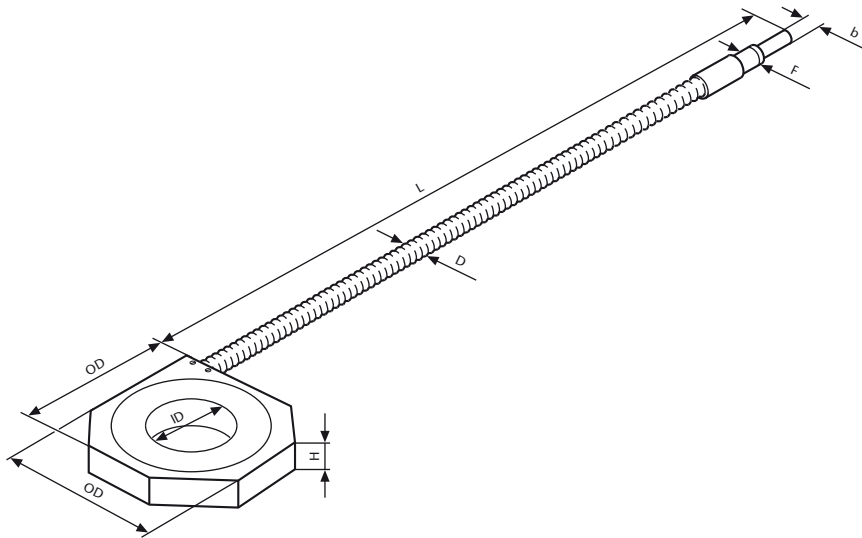
- Shadow-free illumination of polished or high reflective surfaces.

Diffusing Ringlight										
Cold light source	Part-No.	Type	Length	Inner Ø	Outer Ø	Height	Minimum Working Distance*	Active Ø/ branch	Outer Ø Jacketing	Light source adapter Ø
			L	ID	OD	H	A	b	D	F
KL 1500**	500 200	66 mm Ø	1000 mm	66 mm	137 mm	32 mm	30 mm	9 mm	15 mm	10 mm
KL 2500 LCD			39.37 inch	2.64 inch	5.48 inch	1.28 inch		0.36 mm	0.60 inch	0.39 inch

\* Ringlight usable in any working distance above given minimum values.

\*\* LCD, compact, LED

# Diffusing Ringlight



Diffuse ringlight, P/N 500 200

Lighting and Imaging  
**SCHOTT AG**  
Otto-Schott-Strasse 2  
55127 Mainz  
Germany

Phone: +49 (0)6131/66-7796  
Fax: +49 (0)6131/66-7850  
lightingimaging@schott.com  
www.schott.com/lightingimaging

For your local sales contact please visit  
[www.schott.com/lightingimaging/english/contact](http://www.schott.com/lightingimaging/english/contact)

**SCHOTT**  
glass made of ideas