



Diffusing Facelight

## Diffusing Facelight

### Features

- Diffuse and uniform illumination within a certain active area.
- A white acrylic diffuser plate provides an optimum combination of uniformity and intensity.
- Mounts directly to respective light guide by means of thumb screw.
- Housing made of rugged, black anodized aluminium.
- Fiber bundle protected with flexible metal PVC sheathing.
- Manufactured in the EU.

### Benefit

- Illumination of polished or high reflective surfaces.

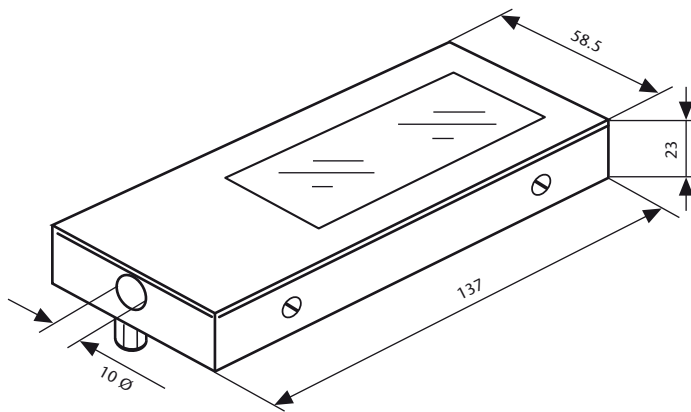
Diffusing Facelight						
Cold light source	Part-No.	Active Area	Housing Dimensions	Connection for end tip Ø	Connection for end tip length	Mounting
KL 1500**	500 100	78 x 30 mm	137 x 58.5 x 23 mm	10 mm	20 mm	2 M6 holes*
KL 2500 LCD		3.12" x 1.2"	5.64" x 2.34" x 0.92"	0.39 inch	0.79 inch	
Fitting light guides						
KL 1500**/2500 LCD	155 103	1 branch, flexible				
KL 2500 LCD	255 204	2 branch, flexible, randomized				

\* Refer to articulating arm, Datasheet 17.27.01 (Part-No. 158 345).

\*\* LCD, compact, LED

Product improvements may result in specification or feature changes without notice.

## Diffusing Facelight



Diffuse facelight, P/N 500 100

Lighting and Imaging  
**SCHOTT AG**  
Otto-Schott-Strasse 2  
55127 Mainz  
Germany

Phone: +49 (0)6131/66-7796  
Fax: +49 (0)6131/66-7850  
lightingimaging@schott.com  
www.schott.com/lightingimaging

For your local sales contact please visit  
[www.schott.com/lightingimaging/english/contact](http://www.schott.com/lightingimaging/english/contact)

**SCHOTT**  
glass made of ideas