



KL 1500 LED plus

- All KL 1500 LED basic functions in addition to:
- PC controllable via USB
- Connection for foot switch and remote control
- Intensity control at three sensitivities (fine, standard and coarse tuning)
- LCD display indicates brightness setting, operation mode, or error code
- Electronic shutter function
- Flash function for freezing of movement
- **Approvals:**
The KL 1500 LED *plus* is in compliance with the CE regulations (power supply CE, UL, PSE)
- Manufactured in the EU

KL 1500 LED *plus*

An advanced version of the KL 1500 LED

The KL 1500 LED *plus* is an enhancement of the standard version, designed for the more upscaled demands in industrial and life science applications of Stereo Microscopy and Macroscopy.

The brightness is equivalent to a 150-watt halogene cold light source.

All advantages of LED light sources,

- no bulb changing
 - low energy consumption
 - ripple free DC illumination
 - white light (daylight)
 - no visible color temperature shift on dimming
- are combined with the main advantages of fiber optics,
- very high light intensity focused on a small field of view
 - high flexibility of light and illumination techniques
- for an outstanding price-performance ratio.

KL 1500 LED *plus*

General data

Part-No.		150 500
Dimensions (W x D x H)	(mm)/(inch)	220 x 113 x 137/8.7" x 4.5" x 5.4"
Weight	(kg)	Approx. 1.75
Cooling		Silent fan

Electrical data

Operating voltage, frequency		90 – 264 V ~, 47 – 63 Hz
Input voltage	(V)	12 V
Power consumption	(VA)	Max. 36
Protection class		II
Overvoltage category		II
Diodes		Cree Xlamp high power LEDs
LED power rating	(W)	7 x 3.5
Average LED life time	(h)	50.000

Illumination data

Light flux	(lm)	380
Color temperature	(K)	Approx. 6.000
Light control		Electrical
Active light guide diameter	(mm)/(inch)	Max. 9/Max. 0.35"

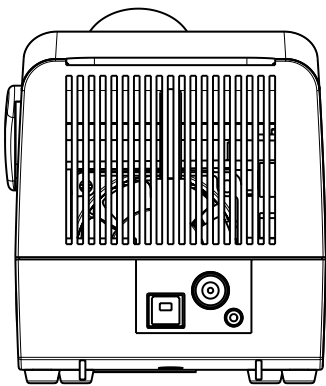
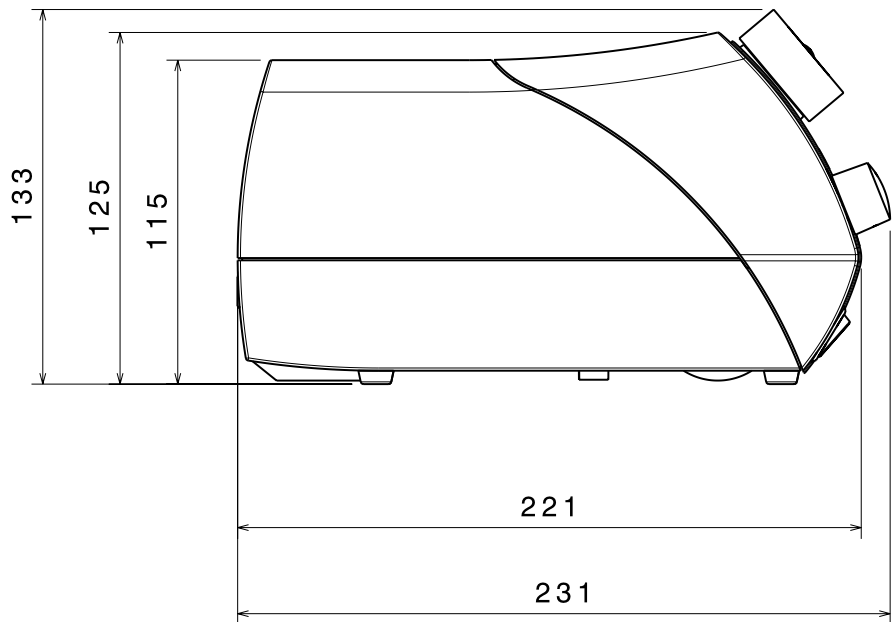
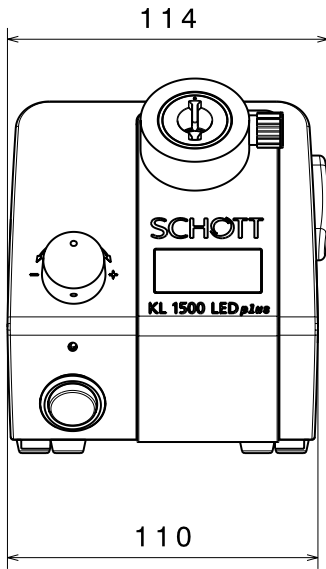
Certification marks

Approvals	CE (power supply CE, UL, PSE)
EMV-class	B

Note: country specific power cord must be ordered separately!

Product improvements may result in specification or feature changes without notice.

KL 1500 LED *plus*



Lighting and Imaging
SCHOTT AG
Otto-Schott-Strasse 2
55127 Mainz
Germany

Phone: +49 (0)6131/66-7796
Fax: +49 (0)6131/66-7850
lightingimaging@schott.com
www.schott.com/lightingimaging

SCHOTT
glass made of ideas

For your local sales contact please visit
www.schott.com/lightingimaging/english/contact