



Lightline 50 x 1.2 mm



Lightline 300 x 0.3 mm, KL 2500 LCD only

Lightlines

Features

- Lightlines are Spot to line converters.
- Adjustable cylindrical lens to reduce the illumination angle up to 3 degrees.
- Housing made of rugged, black anodized aluminium.
- Fiber bundle protected with flexible metal PVC sheathing.
- Manufactured in the EU.

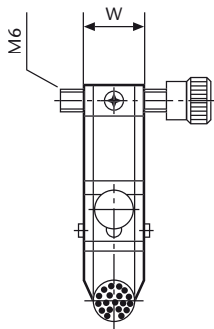
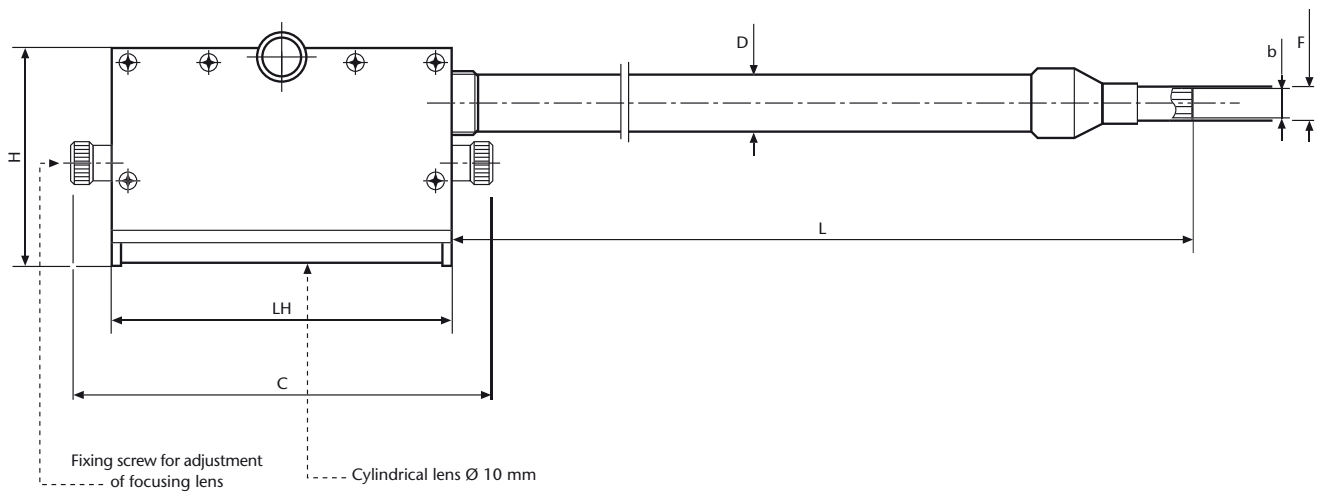
Benefits

- Illumination for objectives with flat structures, i.e. imprint on checks.
- Creates uniform line illumination.
- High intense illumination for examination of footprints.

Lightline										
Cold light source	Part-No.	Line dimensions	Height of housing	Length of housing	Overall length of housing	Width of housing	Length	Outer Ø Jacketing	Active Ø/ branch	Light source adapter Ø
			H	LH	C	W	L	D	b	F
KL 1500*	160 100	50 x 1.2 mm	63 mm	66 mm	~ 94 mm	18 mm	1000 mm	15 mm	8,9 mm	10 mm
		1.97 x 0.05 inch	2.48 inch	2.60 inch	~ 3.70 inch	0.71 inch	39.37 inch	0.59 inch	0.35 inch	0.39 inch
KL 2500 LCD	160 110	100 x 0.6 mm	63 mm	116 mm	~ 144 mm	18 mm	1000 mm	15 mm	8,9 mm	10 mm
		3.94 x 0.02 inch	2.48 inch	4.57 inch	~ 5.67 inch	0.71 inch	39.37 inch	0.59 inch	0.35 inch	0.39 inch
	160 120	200 x 0.3 mm	101 mm	216 mm	~ 244 mm	18 mm	1000 mm	15 mm	8,9 mm	10 mm
		7.87 x 0.02 inch	3.98 inch	8.50 inch	~ 9.61 inch	0.71 inch	39.37 inch	0.59 inch	0.35 inch	0.39 inch
KL 2500 LCD	260 130	300 x 0.3 mm	101 mm	316 mm	~ 344 mm	18 mm	1000 mm	17 mm	10,8 mm	17 mm
		11.81 x 0.01 inch	3.98 inch	12.44 inch	~ 13.54 inch	0.71 inch	39.37 inch	0.67 inch	0.43 inch	0.67 inch
	260 135	300 x 0.3 mm	101 mm	316 mm	~ 344 mm	18 mm	1500 mm	17 mm	10,8 mm	17 mm
		11.81 x 0.01 inch	3.98 inch	12.44 inch	~ 13.54 inch	0.71 inch	59.06 inch	0.67 inch	0.43 inch	0.67 inch

* LCD, compact, LED

Lightlines



Lighting and Imaging
SCHOTT AG
Otto-Schott-Strasse 2
55127 Mainz
Germany

Phone: +49 (0)6131/66-7796
Fax: +49 (0)6131/66-7850
lightingimaging@schott.com
www.schott.com/lightingimaging

For your local sales contact please visit
www.schott.com/lightingimaging/english/contact

SCHOTT
glass made of ideas