



Annular ringlight Jumbo 66 mm

Jumbo Ringlight

Features

- Continuous ring of illumination fiber within the housing.
- Active diameter of the bundle is using the entire focal diameter of the 250 watt halogen bulb.
- Mounts directly to 66 mm objective by means of thumb screw.
- Housing made of rugged, black anodized aluminium.
- Fiber bundle protected with flexible metal PVC sheathing.
- Manufactured in the EU.

Benefits

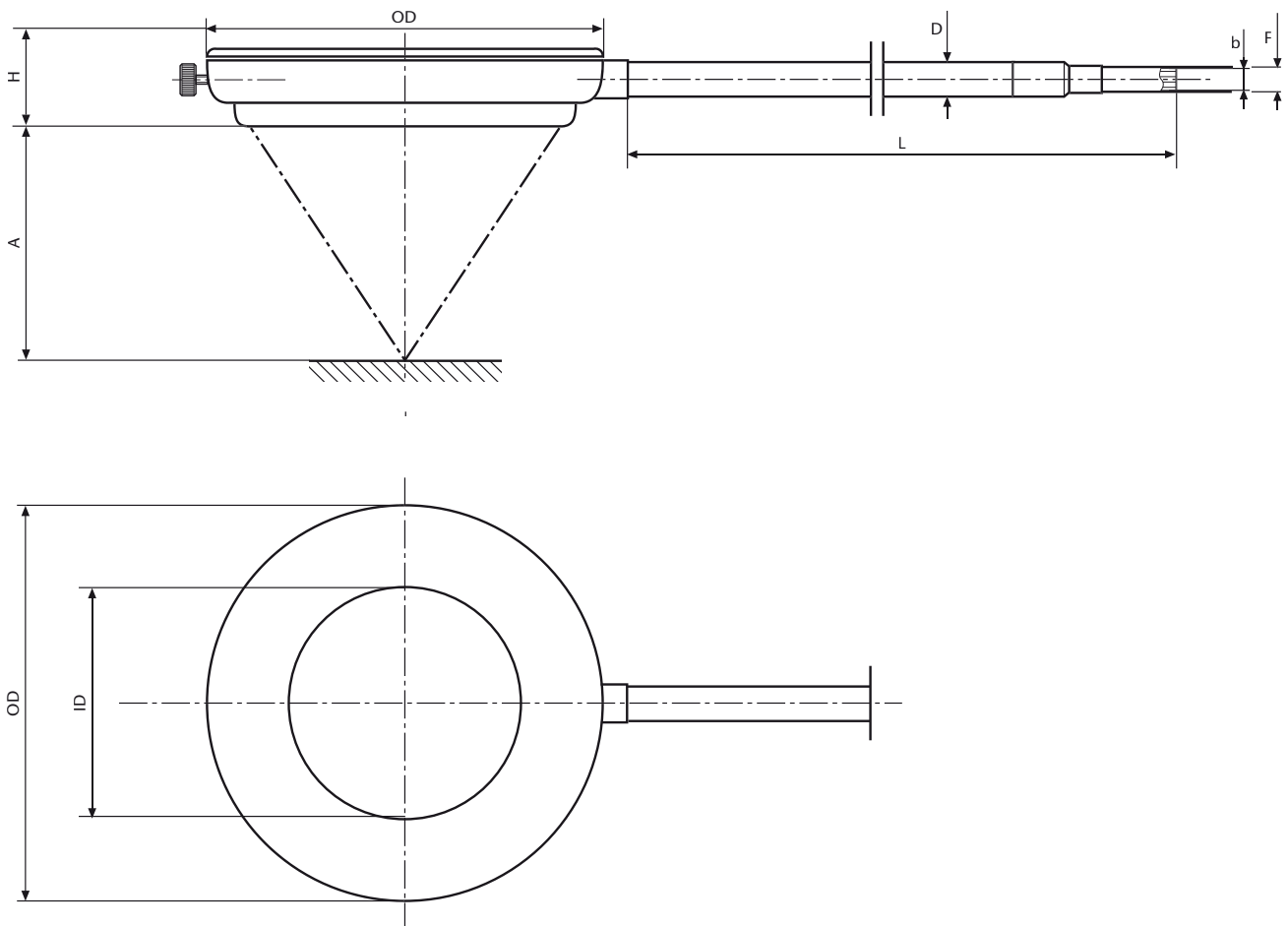
- Absolute shadow-free illumination for large area targets (i.e. SMD).
- The Jumbo Ringlight in connection with the KL 2500 LCD delivers 300% more light as the standard ringlight with KL 1500 LCD.
- Large area fluorescence illumination.

Jumbo Ringlight										
Cold light source	Part-No.	Type	Length	Inner Ø	Outer Ø	Height	Minimum working distance*	Active Ø/ branch	Outer Ø Jacketing	Light source adapter Ø
			L	ID	OD	H	A	b	D	F
KL 2500 LCD	257 420	Slit 66 mm Ø	1000 mm 43.48 inch	66 mm 2.60 inch	120 mm 4.72 inch	36 mm 1.44 inch	25 mm 0.98 inch	12 mm 0.47 inch	20 mm 0.80 inch	17 mm 0.67 inch

* Ringlight usable in any working distance above given minimum values.

Product improvements may result in specification or feature changes without notice.

Jumbo Ringlight



Lighting and Imaging
SCHOTT AG
Otto-Schott-Strasse 2
55127 Mainz
Germany

Phone: +49 (0)6131/66-7796
Fax: +49 (0)6131/66-7850
lightingimaging@schott.com
www.schott.com/lightingimaging

SCHOTT
glass made of ideas

For your local sales contact please visit
www.schott.com/lightingimaging/english/contact