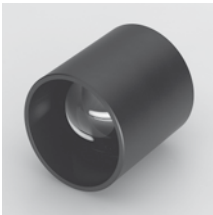
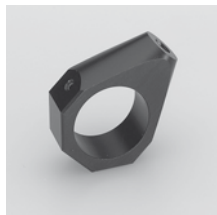




Focussing lens and filter set, P/N 158 200

Focussing lens,
P/N 258 210Base stand,
P/N 158 340Articulating arm,
P/N 158 345Holder for focussing lens,
P/N 158 341Holder; left P/N 157 430, middle P/N 158 335,
right P/N 158 330

Focussing Lenses

- SCHOTT offers focussing lenses for flexible light guides and goosenecks.
- The light intensity at the spot center can be increased by factor 3.
- When using a KL 1500 LCD, KL 1500 compact or KL 2500 LCD additional effects can be achieved with the integrated optics swung in respectively out.
- Manufactured in the EU.

Focussing lenses

	Part. No. angle	Aperture filter for focussing lens*	Polarization for focussing lens	Daylight filter
Focussing lens and filterset				
Ø up to 5.0 mm, red, blue, green, yellow	158 200	20° half angle	158 205	158 211
Focussing lenses for flexible light guides and goosenecks				
Ø up to 5.0 mm**	158 210	20° half angle	158 205	158 211
Ø 8.0 mm**	158 215	20° half angle	158 206	---
Ø 12 and 15 mm**	258 210	20° half angle	258 205	---

* The corresponding cross polarizer must be purchased from the accessory range of the microscope/objective vendor
** active diameters

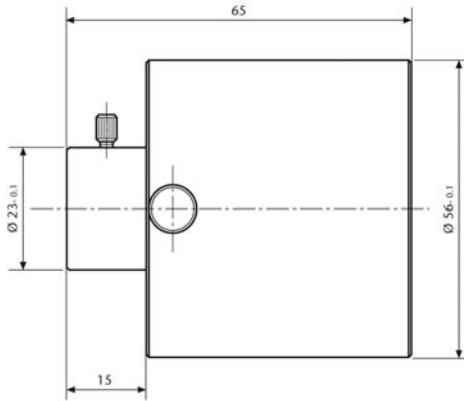
Holder for Light Guides

To position flexible light guides and ringlights precisely SCHOTT offers an articulating arm and base as well as holders for different size light guides and focussing lenses.

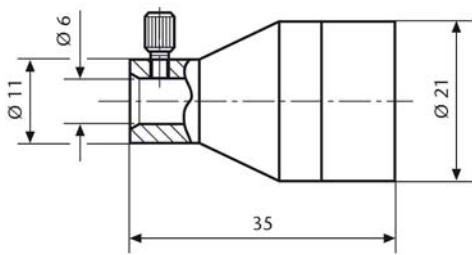
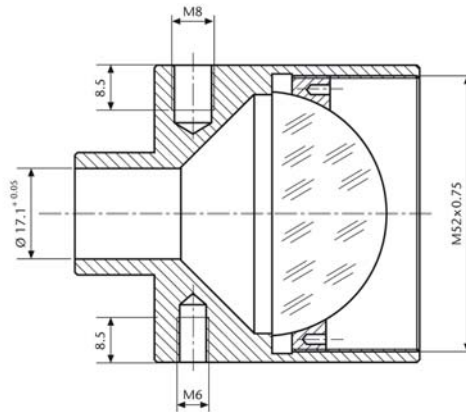
Holder for light guides

	Part. No.	Mounting	Dimension
Articulating arm and base			
Articulating arm	158 345	2 M6 threads	200 mm length
Base for articulating arm	158 340	3 M6 holes	Ø 100 mm
Holder for focussing lenses			
Ø up to 5.0 mm	158 341	1 M6 hole	for focussing lens 158 210 and set 158 200
Ø 8.0 mm	157 430		
Ø 12 and 15 mm	---	1 x M6 and 1 x M8 hole in body of focussing lens.	A separate holder is not necessary.
Holder for flexible light guides			
Ø up to 5.0 mm	158 330	1 M6 hole	
Ø 8.0 mm	158 335	1 M6 hole	
Ø 12 and 15 mm	157 430	1 M6 hole	
Holder for annular ringlights			
Ø 58 and 66 mm	157 430	1 M6 hole	

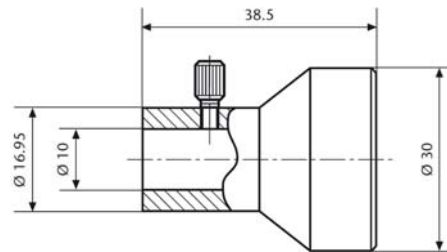
Focussing Lenses



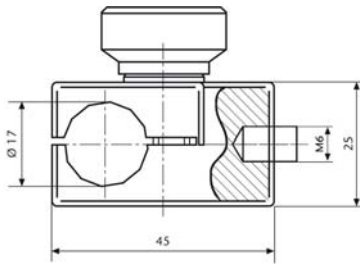
Focussing lens, P/N 258 210



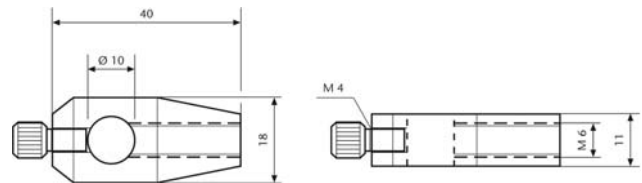
Focussing lens, P/N 158 210



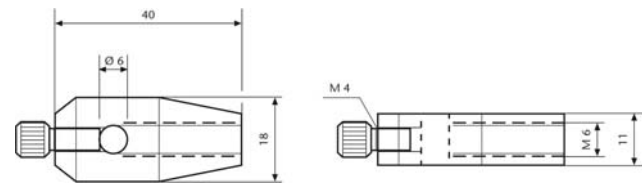
Focussing lens, P/N 158 215



Holder, P/N 157 430



Holder, P/N 158 335



Holder, P/N 158 330

Lighting and Imaging
SCHOTT AG
 Otto-Schott-Strasse 2
 55127 Mainz
 Germany

Phone: +49 (0)6131/66-7796
 Fax: +49 (0)6131/66-7850
 lightingimaging@schott.com
 www.schott.com/lightingimaging

SCHOTT
 glass made of ideas

For your local sales contact please visit
www.schott.com/lightingimaging/english/contact