



6-point ringlight 58 mm

6-Point Ringlights

Features

- Six illumination spots designed within housing.
- Mounts directly to objective by means of thumb screw.
- Housing made of rugged, black anodized aluminium.
- Fiber bundle protected with flexible metal PVC sheathing.
- Manufactured in the EU.

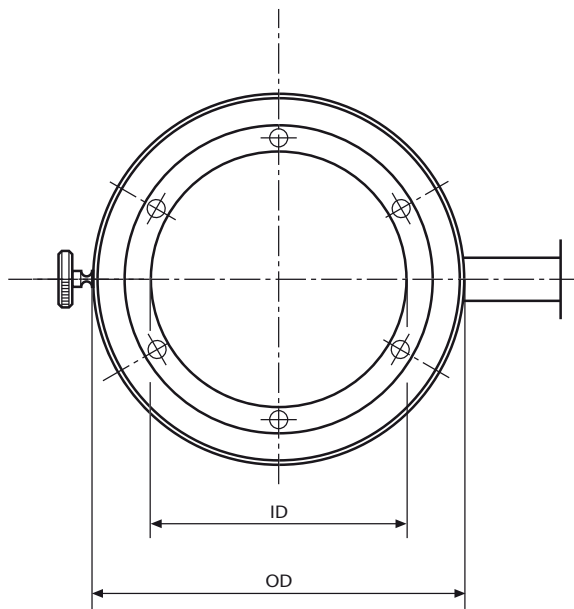
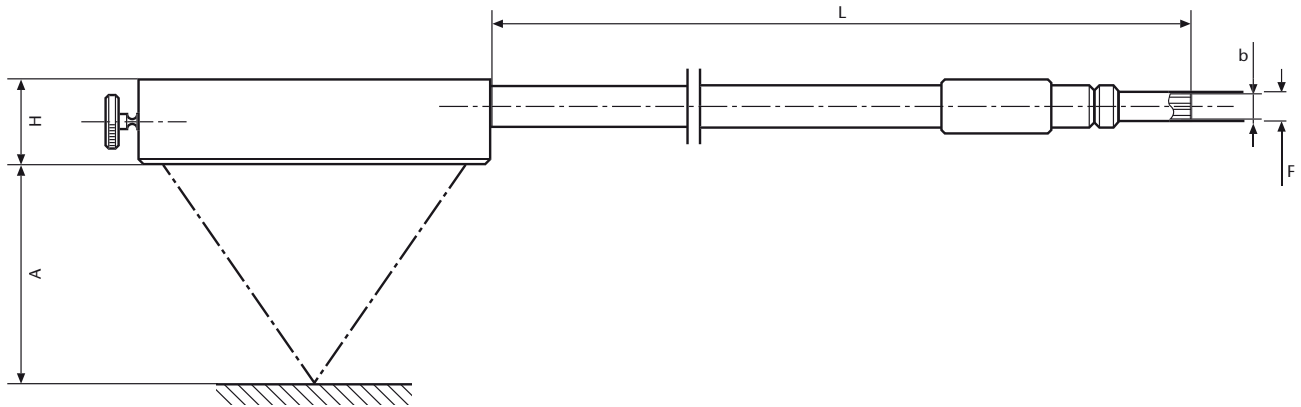
Benefits

- Cost effective in comparison to annular ringlights
- Illumination with reduced shadows, but still sufficient shadows for improved contrasts.

6-Point Ringlights										
Cold light source	Part-No.	Type	Length	Inner Ø	Outer Ø	Height	Minimum working distance*	Active Ø/ branch	Outer Ø Jacketing	Light source adapter Ø
			L	ID	OD	H	A	b	D	F
KL 200 KL 200 LED	172 501	58 mm Ø	1000 mm 39.37 inch	58 mm 2.28 inch	86 mm 3.39 inch	23 mm 0.91 inch	30 mm 1.18 inch	6 mm 0.24 inch	10.8 mm 0.43 inch	9 mm 0.35 inch
	172 601	66 mm Ø	1000 mm 39.37 inch	66 mm 2.60 inch	94 mm 3.70 inch	23 mm 0.91 inch	37 mm 1.46 inch	6 mm 0.24 inch	10.8 mm 0.43 inch	9 mm 0.35 inch

* Ringlights usable in any working distance above given minimum values.

6-Point Ringlights



Lighting and Imaging
SCHOTT AG
Otto-Schott-Strasse 2
55127 Mainz
Germany

Phone: +49 (0)6131/66-7796
Fax: +49 (0)6131/66-7850
lightingimaging@schott.com
www.schott.com/lightingimaging

For your local sales contact please visit
www.schott.com/lightingimaging/english/contact

SCHOTT
glass made of ideas