

EasyLED Backlights

Ergonomic and compact illumination system for stereo microscopy and macroscopy



Transmitted Light Stage

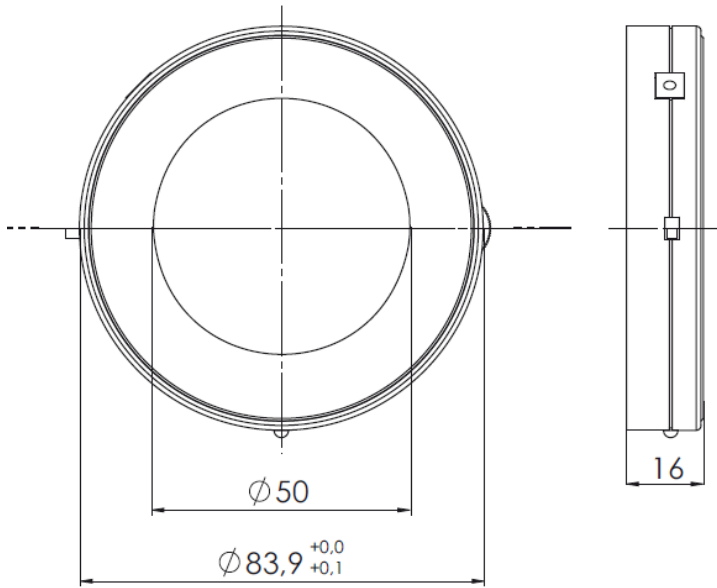
Features

- No separate controller box
- Ergonomic operating (not necessary to remove eyes from the eyepieces).
- Continuous dimming from 0 to 100%.
- All devices are separately dimmable.
- Wide input range power supply (100 - 240 V).
- World wide plug (clip system).
- Low costs for high quality and functionality.

| Transmitted Light Stage | | Illuminated area | Max. luminance | Adaption Ø | |
|-------------------------|---------|------------------|--------------------------|---------------|----------|
| Transmitted Light Stage | 600 400 | 50 mm (1.97") | 12,000 cd/m ² | 84 mm (3.31") | 12 V, DC |

| Adaptors for Transmitted Light Stage | |
|--------------------------------------|---------|
| Ø 84 mm to Ø 100 mm | 157 600 |
| Ø 84 mm to Ø 120 mm | 157 610 |
| Ø 84 mm to Ø 180 mm | 157 620 |
| Ø 84 mm to Ø 90 mm | 157 630 |

EasyLED Backlights



EasyLED Transmitted Light Stage

All specifications are subject to change without prior notice. This datasheet or any extracts thereof may only be used in other publications with express permission of SCHOTT. © SCHOTT AG

Lighting and Imaging
SCHOTT AG
Hattenbergstrasse 10
55122 Mainz
Germany
Phone: +49 (0) 6131/66-7796
Fax: +49 (0) 6131/66-7850
lightingimaging@schott.com
www.schott.com/lightingimaging

SCHOTT
glass made of ideas