



RVLDM1400 Series DRIVER

- Remote Variable Intensity Control - ~10% to 100%
- Current Regulating
- 24VDC
- DIN Rail Mount
- PNP/NPN Strobe or Continuous Mode

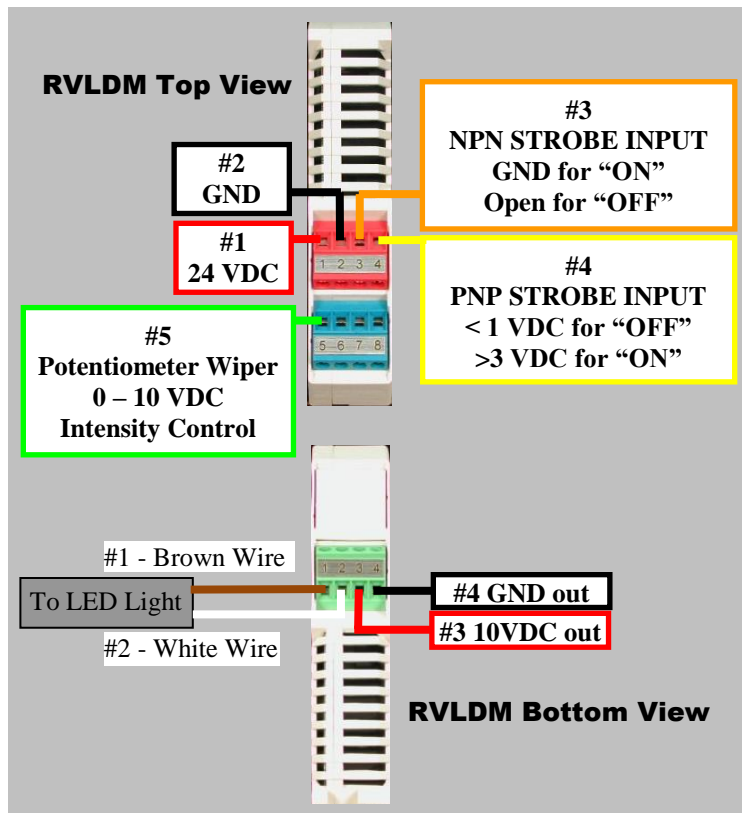
ELECTRICAL:

Input Voltage: 24 VDC -0.5 / +4V
Input Current: 1.5 Amp Max
Connection: Screw terminals



RVLDM1400 is compatible with the following lights:

LL123 – All Colors
DL12.25 – All Colors
RL13.5 – All Colors



NOTE:

Jumper 24VDC to PNP Strobe Input or
GND to NPN Strobe input for light to
remain in constant "ON" state.

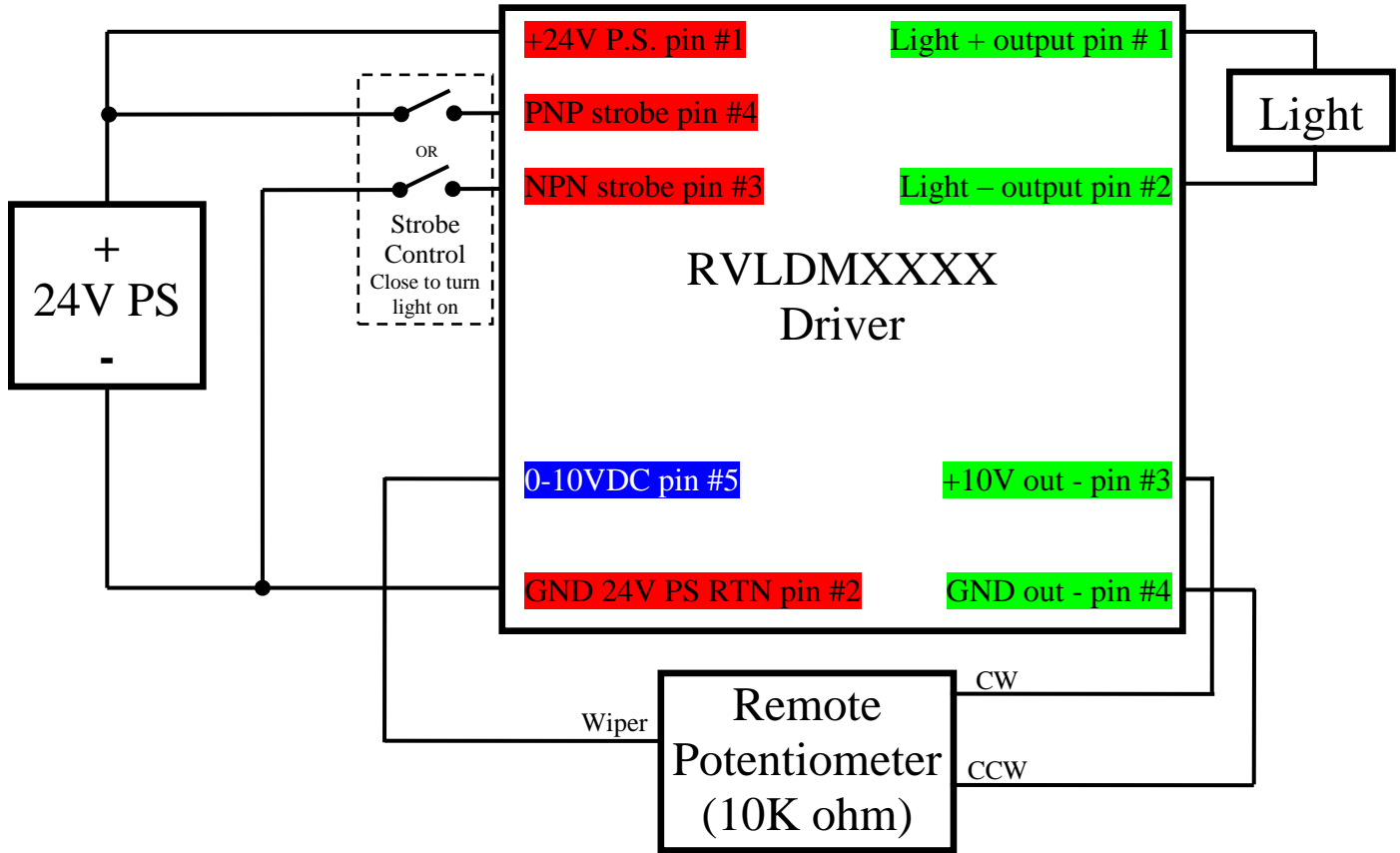
Strobe is Pulse Width Duration – Light will
remain "on" for duration of signal or pulse.

Note: Black, Blue and Green wires are not used
on RVLDM1400 Driver

Warning!!!

**USE ONLY SPECTRUM ILLUMINATION LDM DRIVER WITH MONSTER LIGHTS.
DO NOT CONNECT MONSTER LIGHTS DIRECTLY TO 24VDC!**

Wiring Block Diagram



Rev. Date: 2013-02-13