

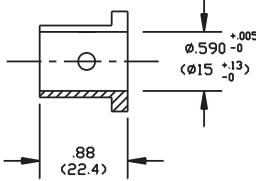
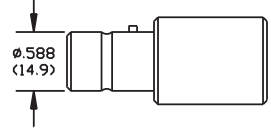
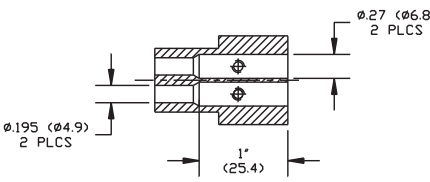
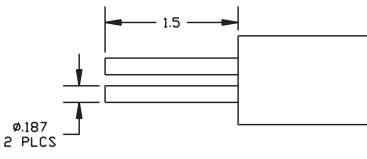
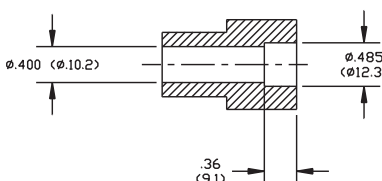
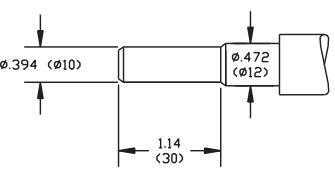
Input Adapters

For DCR® Series and ACE® Series Light Sources

SCHOTT provides a series of adapter bushings which fit into the DCR® Series and ACE® Series light sources.

The corresponding ferrule sizes they will accept, are shown below. The bushing attaches to the fiber bundle ferrule with a set screw. The bundle is then inserted into the light source receptacle. These adapters guarantee proper fiber bundle positioning in the focal plane of the lamp to receive the maximum light output.

Input Adapters

PartNumber	Adapter	Ferrule
★ A08009		
A08010		
A08013		

Volpi

SCHOTT KL Series

Dimensions in () are in mm

★ Made-to-order products.