



ACE® Light Source



ACE® Light Source with EKE lamp, A20500

Compact, rugged, AC halogen light source with solid state dimmer for variable light intensity and maximizing lamp life

- Solid state dimmer for continuous control zero to full intensity
- Heavy duty, grounded metal housing
- 115 or 230 input voltage versions available
- IR interference filter for cool illumination
- Full illumination on .60" active diameter input
- Interchangeable Modulamp Units offer 2 positions to maximize individual lamp efficiencies.
- Choice of three, 150 watt halogen lamps - EKE, EJA, and DDL for intense, uniform illumination
- Built-in thermal shut down
- Quiet fan cooling
- CSA approved to UL spec, CE compliant to low voltage and EMC directives
- Low housing temperature
- Detachable IEC cord



Modulamp Unit with Iris Diaphragm

ACE® Light Source Models

115 Volt	230 Volt	Description
Standard Light Sources		
A20500	A20510	EKE Lamp
A20500.1	A20510.1	EJA Lamp
A20500.2	A20510.2	DDL Lamp
Light Source without Modulamp Unit		
★ A20500.115	★ A20510.230	No Lamp Power Supply Only

★ Made-to-order products.

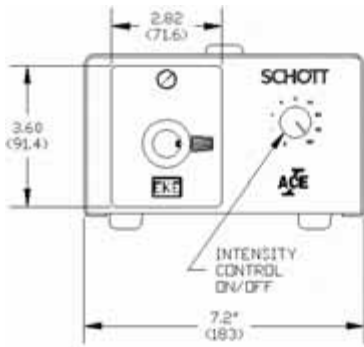
EKE, DDL, and EJA lamps and Modulamp units can be purchased separately.

Options

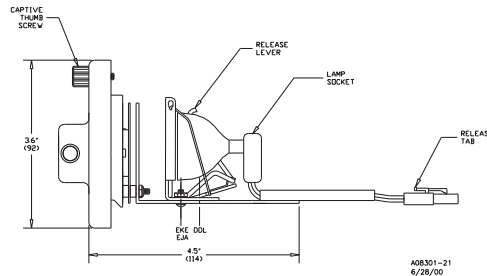
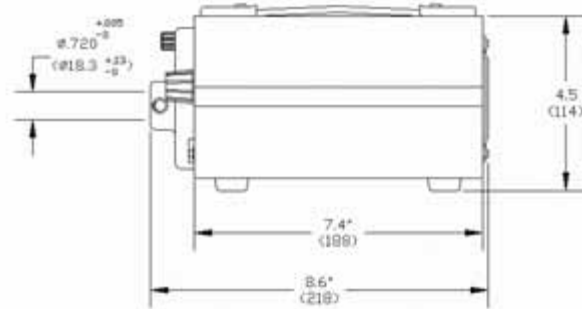
- Private labeling available.
- Infinite setting, twelve blade iris diaphragm version available to reduce intensity while maintaining color temperature.

ACE® Light Source

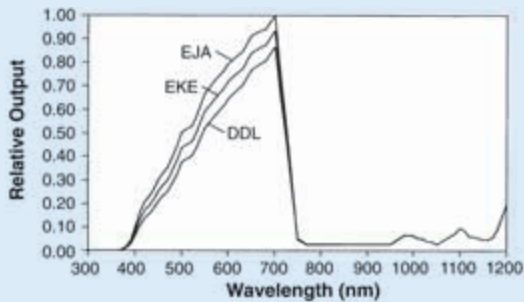
Dimensions in () are in mm



Input: 115 VAC/60 Hz, 230 VAC/50/60 Hz, Output: 0–21 VAC



Spectral Curves w/Interference IR Filter



Modulamp... SCHOTT Innovation!

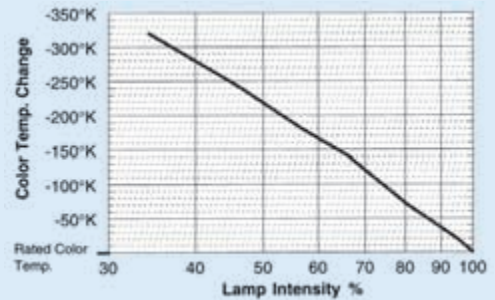
Two positions optimize light intensity output, depending on the lamp in use. Entire housing is interchangeable for quick setup.

Choice of Lamps.. SCHOTT

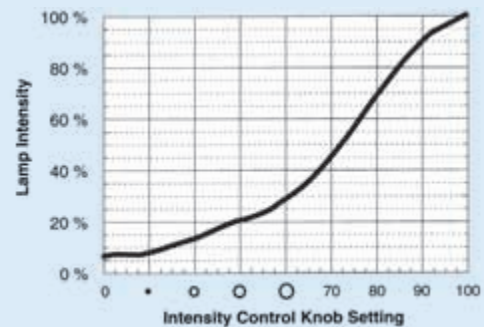
Versatility! Three different bulbs (EJA, EKE, DDL) offer light intensity and color temperature options to maximize productivity and accuracy.

Power Supply Specifications	
Power Consumption	190 Watts (nominal)
Output Voltage	0 - 21 VAC
Fiber Receptacle	0.72" (18.3 mm)
Input Voltage	115 VAC / 60 Hz 230 VAC / 50/60 Hz
Temperature Range: Operating	0° to 50°C

Color Temperature Change vs. Lamp Intensity



Lamp Intensity vs. Intensity Control Knob Setting



Solid State Dimmer..SCHOTT Control!

Continuous intensity control for lamp life management.