



Case Study - Product Application

Game Controller Inspection

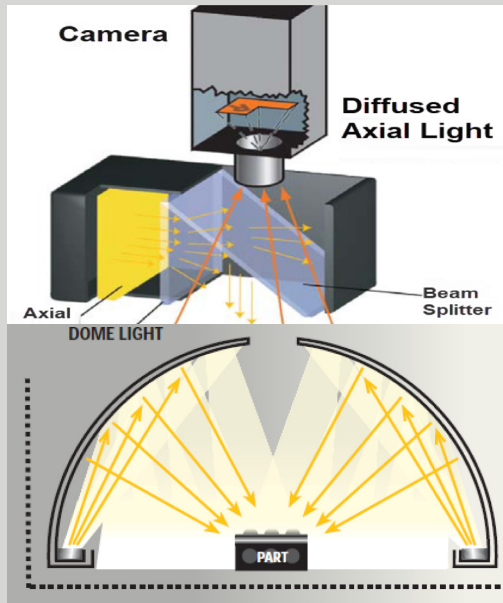


Solution: MDL12.25-WHI & MDA2-WHI



Very reflective surface - Xbox 360 Game Controller.

Illumination - Inspection Setup



Dome light removes glare, Diffused Axial light removes the image of the hole from the dome.

Vision & Automation Opportunity:

Customer needed to validate that the center hand label is applied to controller. Production speed must be maintained while enhancing the quality inspection process to maintain product standards.

Vision & Automation Solution:

SI Engineering Lab mocked up the opportunity. SI Engineer applied white lights, camera lenses and product positioning to develop repeatable quality testing solution. Spectrum Illumination's DL12.25-WHI & MDA2-WHI Smart camera identifies center label is applied to controller.



POLYTEC GmbH
Tel: +49 (72 43) 604 174 0

Polytec-Platz 1 - 7
Fax: +49 (72 43) 6 99 44

D -76337 Waldbronn
E-Mail: ot@polytec.de

GERMANY
www.polytec.de